

# 6221A-SRC

**Wi-Fi Dual-band 1X1 11ac +Bluetooth 4.2  
Combo Module Datasheet**



## 6221A-SRC Module Datasheet

**Office:** 6 Floor, Building U6, Junxiang U8 Park,  
Hangcheng Avenue, Bao'an District,  
Shenzhen City, CHINA

**Factory:** No.8, Litong Road, Liuyang Economic & Technical  
Development Zone, Changsha, Hunan, CHINA

**TEL:** +86-755-2955-8186

**Website:** [www.fn-link.com](http://www.fn-link.com)

Customer Approval :	_____	Company
	_____	Title
	_____	Signature
	_____	Date
	_____	Fn-Link

## Revision History

Version	Date	Revision Content	Draft	Approved
1.0	2018/12/17	New version	Lzm	Lxy
1.1	2018/12/18	Modify the telephone number	Lzm	Lxy
1.2	2018/12/25	Modify the office and TEL	Lzm	Lxy
1.3	2019/07/19	Add TVS solution, higher shielding size	Lxy	Szs

# CONTENTS

<b>1 Overview.....</b>	<b>1</b>
1.1 Introduction.....	1
1.2 Features.....	1
1.3 General Specification.....	2
1.4 Recommended Operating Rating.....	3
※1.5 EEPROM Information.....	3
<b>2 Wi-Fi RF Specification.....</b>	<b>3</b>
2.1 2.4GHz RF Specification.....	3
2.2 5GHz RF Specification.....	5
<b>3 Bluetooth Specification.....</b>	<b>7</b>
3.1 Bluetooth Specification.....	7
<b>4 Pin Assignments.....</b>	<b>8</b>
4.1 Pin Outline.....	8
4.2 Pin Definition.....	9
<b>5 Dimensions.....</b>	<b>10</b>
5.1 Module Picture.....	10
5.2 Marking Description.....	11
5.3 Module Physical Dimensions.....	11
5.4 Layout Recommendation.....	12
<b>6 Host Interface Timing Diagram.....</b>	<b>13</b>
6.1 SDIO Pin Description.....	13
6.2 SDIO Default Mode Timing Diagram.....	14
6.3 SDIO High Speed Mode Timing Diagram.....	15
6.4 SDIO Bus Timing Specifications in SDR Modes.....	16
6.5 SDIO Bus Timing Specifications in DDR50 Mode.....	18
<b>7 Reference Design.....</b>	<b>19</b>
<b>8 Ordering Information.....</b>	<b>20</b>
<b>9 The Key Material List.....</b>	<b>20</b>
<b>10 Recommended Reflow Profile.....</b>	<b>21</b>
<b>11 Package Information.....</b>	<b>22</b>
11.1 Reel.....	22
11.2 Carrier Tape Detail.....	22
11.3 Packaging Detail.....	23
11.4 Moisture sensitivity.....	24

# 1 Overview

## 1.1 Introduction

FN-Link Technology would like to announce a low-cost and low-power consumption module which has all of the Wi-Fi functionalities. It is a highly-integrated IEEE 802.11 a/b/g/n/ac MAC/Baseband/RF WLAN single chip. For Wireless LAN(WLAN)operation. The integrated module provides SDIO interface for Wi-Fi . The module provides simple legacy and 20MHz/40MHz/80MHz co-existence mechanisms to ensure backward and network compatibility

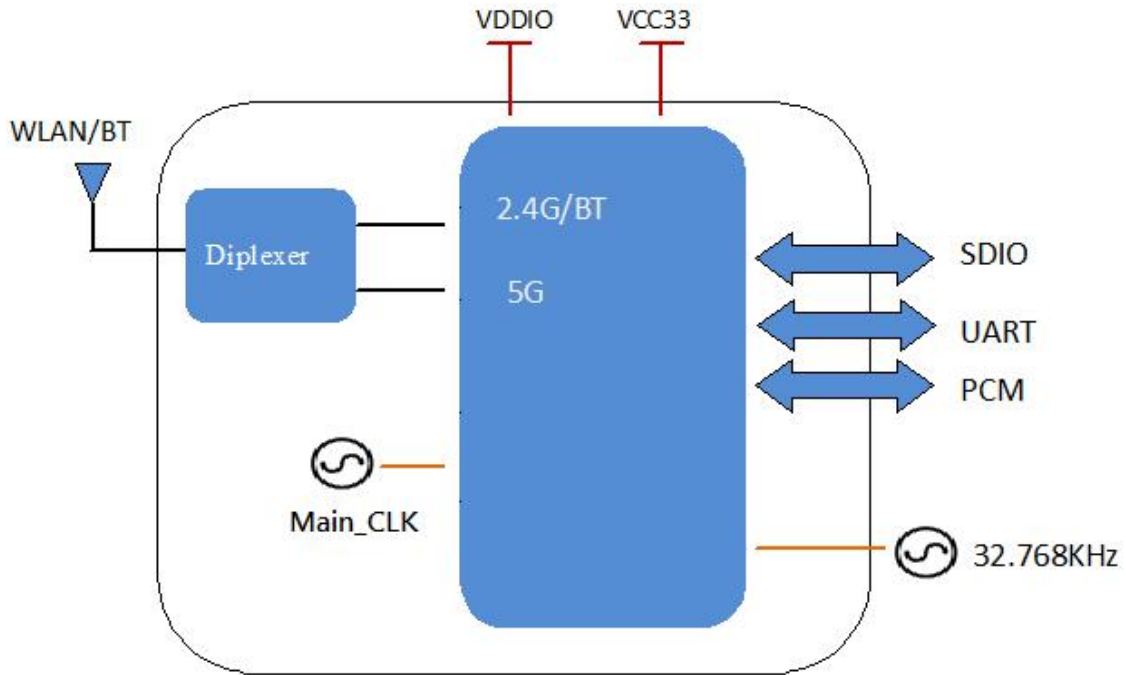
The wireless module complies with IEEE 802.11 a/b/g/n/ac standard and it can achieve up to a speed of 433.3Mbps with single stream in 802.11ac draft to connect to the wireless LAN. The integrated module provides SDIO interface for Wi-Fi, UART / PCM interface for Bluetooth.

This compact module is a total solution for a combination of Wi-Fi + BT technologies. The module is specifically developed for Smart phones and Portable devices.

## 1.2 Features

- Highly integrated wireless local area network(WLAN) system-on-chip (SOC) for 5 GHZ 802.11ac, or 2.4G/5G 802.11n WLAN applications.
- Supports 20/40MHz at 2.4GHz and supports 20/40/80MHz at 5GHz.
- Supports low power SDIO3.0 interface for WLAN and UART/PCM interface for Bluetooth.
- Supports Bluetooth V4.2+HS, BLE and be backwards compatible with Bluetooth 1.2, 2.X+ enhance data rate.
- Supports WLAN-Bluetooth coexistence.
- Supports Bluetooth for class1 and class2 power level transmissions without requiring an external PA.
- BT host digital interface:
  - HCI UART (up to 4 Mbps)
  - PCM for audio data

## Block Diagram:



### 1.3 General Specification

Model Name	6221A-SRC
Product Description	Support Wi-Fi/Bluetooth functionalities
Dimension	L x W x T: 12 x 12 x 2.0 (typical) mm
Wi-Fi Interface	Support SDIO V3.0
BT Interface	UART / PCM
Operating temperature	0°C to 70°C
Storage temperature	-40°C to 85°C
RoHS	All hardware components are fully compliant with EU RoHS directive

## 1.4 Recommended Operating Rating

		Min.	Typ.	Max.	Unit
Operating Temperature		0	25	70	deg.C
VCC33		3.0	3.3	3.6	V
VDDIO		1.7	1.8 or 3.3	3.6	V
Power Consumption	VCC33 = 3.3V(Unit:mA)				
	Wi-Fi on Mode	68			
	TX (2.4G HT20)	217			
	RX (2.4G HT20)	108			
	TX (5G HT40)	252			
	RX (5G HT40)	115			
	BT on	19			

## ※1.5 EEPROM Information

WI-FI

Vendor ID	024C
Product ID	C821

## 2 Wi-Fi RF Specification

### 2.1 2.4GHz RF Specification

Feature	Description			
WLAN Standard	IEEE 802.11b/g/n, Wi-Fi compliant			
Frequency Range	2.400 GHz ~ 2.497 GHz (2.4 GHz ISM Band)			
Number of Channels	2.4GHz: Ch1 ~ Ch14			
Modulation	DBPSK/DQPSK/CCK(DSSS)、BPSK/QPSK/16QAM/64QAM(OFDM)			
Spectrum Mask	Min. b/g/n	Typ. b/g/n	Max. b/g/n	Unit b/g/n
1st side lobes(to fc ± 11MHZ)	-	-41/-32/-42	-	dBr

2st side lobes(to fc ± 22MHZ)	-	-50/-31/-52	-	dBr
Freq. Tolerance	-20/-20/-20	-	20/20/20	ppm
Output Power	802.11b /11Mbps		: 16 dBm ± 1.5 dB @ EVM ≤ -9dB	
	802.11g /54Mbps		: 15 dBm ± 1.5 dB @ EVM ≤ -25dB	
	802.11n /MCS7(HT 20)		: 14 dBm ± 1.5 dB @ EVM ≤ -28dB	
	802.11n /MCS7(HT 40)		: 14 dBm ± 1.5 dB @ EVM ≤ -28dB	
<b>Test Items</b>	<b>Typical Value</b>		<b>Standard Value</b>	
Receive Sensitivity (11b) @8% PER	- 1Mbps	PER @ -94 dBm	≤-83	
	- 2Mbps	PER @ -88 dBm	≤-80	
	- 5.5Mbps	PER @ -86 dBm	≤-79	
	- 11Mbps	PER @ -85 dBm	≤-76	
Receive Sensitivity (11g) @10% PER	- 6Mbps	PER @ -88 dBm	≤-85	
	- 9Mbps	PER @ -86 dBm	≤-84	
	- 12Mbps	PER @ -85 dBm	≤-82	
	- 18Mbps	PER @ -83 dBm	≤-80	
	- 24Mbps	PER @ -81 dBm	≤-77	
	- 36Mbps	PER @ -78 dBm	≤-73	
	- 48Mbps	PER @ -74 dBm	≤-69	
	- 54Mbps	PER @ -72 dBm	≤-68	
Receive Sensitivity (11n,20MHz) @10% PER	- MCS=0	PER @ -87 dBm	≤-85	
	- MCS=1	PER @ -83 dBm	≤-82	
	- MCS=2	PER @ -82 dBm	≤-80	
	- MCS=3	PER @ -78 dBm	≤-77	
	- MCS=4	PER @ -75 dBm	≤-73	
	- MCS=5	PER @ -73 dBm	≤-69	
	- MCS=6	PER @ -70 dBm	≤-68	
	- MCS=7	PER @ -69 dBm	≤-67	
Receive Sensitivity (11n,40MHz) @10% PER	- MCS=0	PER @ -87 dBm	≤-82	
	- MCS=1	PER @ -83 dBm	≤-79	
	- MCS=2	PER @ -82 dBm	≤-77	
	- MCS=3	PER @ -78 dBm	≤-74	
	- MCS=4	PER @ -74 dBm	≤-70	
	- MCS=5	PER @ -70 dBm	≤-66	
	- MCS=6	PER @ -68 dBm	≤-65	
	- MCS=7	PER @ -67 dBm	≤-64	



## 2.2 5GHz RF Specification

Feature	Description	
WLAN Standard	IEEE 802.11a/n/ac, Wi-Fi compliant	
Frequency Range	4.900 GHz ~ 5.845 GHz (5.0 GHz ISM Band)	
Number of Channels	5.0GHz: Please see the table <sup>1</sup>	
Modulation	802.11a/n : 64-QAM,16-QAM, QPSK, BPSK 802.11ac : 256-QAM, 64-QAM,16-QAM, QPSK, BPSK	
Output Power	802.11a /54Mbps	: 13 dBm ± 1.5 dB @ EVM ≤ -25dB
	802.11n /MCS7(HT20)	: 12 dBm ± 1.5 dB @ EVM ≤ -28dB
	802.11n /MCS7(HT40)	: 12 dBm ± 1.5 dB @ EVM ≤ -28dB
	802.11ac/MCS8(VHT20)	: 11 dBm ± 1.5 dB @ EVM ≤ -30dB
	802.11ac/MCS7(VHT40)	: 12 dBm ± 1.5 dB @ EVM ≤ -30dB
	802.11ac/MCS9(VHT40)	: 10 dBm ± 1.5 dB @ EVM ≤ -32dB
	802.11ac/MCS9(VHT80)	: 10 dBm ± 1.5 dB @ EVM ≤ -32dB
Test Items	Typical Value	Standard Value
Receive Sensitivity (11a, 20MHz) @10% PER	- 6Mbps PER @ -87 dBm	≤-82
	- 9Mbps PER @ -85 dBm	≤-81
	- 12Mbps PER @ -84 dBm	≤-79
	- 18Mbps PER @ -82 dBm	≤-77
	- 24Mbps PER @ -78 dBm	≤-74
	- 36Mbps PER @ -75 dBm	≤-70
	- 48Mbps PER @ -70 dBm	≤-66
	- 54Mbps PER @ -69 dBm	≤-65
Receive Sensitivity (11n,20MHz) @10% PER	- MCS=0 PER @ -85 dBm	≤-82
	- MCS=1 PER @ -83 dBm	≤-79
	- MCS=2 PER @ -80 dBm	≤-77
	- MCS=3 PER @ -77 dBm	≤-74
	- MCS=4 PER @ -73 dBm	≤-70
	- MCS=5 PER @ -69 dBm	≤-66
	- MCS=6 PER @ -67 dBm	≤-65
	- MCS=7 PER @ -66 dBm	≤-64
Receive Sensitivity (11n,40MHz) @10% PER	- MCS=0 PER @ -82 dBm	≤-81
	- MCS=1 PER @ -79 dBm	≤-78
	- MCS=2 PER @ -78 dBm	≤-76
	- MCS=3 PER @ -73 dBm	≤-72
	- MCS=4 PER @ -70 dBm	≤-69

	- MCS=5 PER @ -65 dBm	≤-64
	- MCS=6 PER @ -64 dBm	≤-63
	- MCS=7 PER @ -62 dBm	≤-61
Receive Sensitivity (11ac,20MHz) @10% PER	- MCS=0 PER @ -86 dBm	≤-82
	- MCS=1 PER @ -84 dBm	≤-81
	- MCS=2 PER @ -81 dBm	≤-79
	- MCS=3 PER @ -78 dBm	≤-74
	- MCS=4 PER @ -74 dBm	≤-71
	- MCS=5 PER @ -70 dBm	≤-67
	- MCS=6 PER @ -68 dBm	≤-66
	- MCS=7 PER @ -67 dBm	≤-61
Receive Sensitivity (11ac,40MHz) @10% PER	- MCS=0 PER @ -82 dBm	≤-79
	- MCS=1 PER @ -78 dBm	≤-76
	- MCS=2 PER @ -76 dBm	≤-73
	- MCS=3 PER @ -73 dBm	≤-69
	- MCS=4 PER @ -70 dBm	≤-68
	- MCS=5 PER @ -65 dBm	≤-64
	- MCS=6 PER @ -63 dBm	≤-63
	- MCS=7 PER @ -61 dBm	≤-58
	- MCS=8 PER @ -59 dBm	≤-56
- MCS=9 PER @ -58 dBm	≤-54	
Receive Sensitivity (11ac,80MHz) @10% PER	- MCS=0 PER @ -78 dBm	≤-76
	- MCS=1 PER @ -75 dBm	≤-73
	- MCS=2 PER @ -73 dBm	≤-71
	- MCS=3 PER @ -69 dBm	≤-68
	- MCS=4 PER @ -66 dBm	≤-64
	- MCS=5 PER @ -64 dBm	≤-60
	- MCS=6 PER @ -60 dBm	≤-59
	- MCS=7 PER @ -58 dBm	≤-58
	- MCS=8 PER @ -55 dBm	≤-53
- MCS=9 PER @ -54 dBm	≤-51	

**15GHz Channel table**

Band (GHz)	Operating Channel Numbers	Channel center frequencies(MHz)
5.15GHz~5.25GHz	36	5180
	40	5200

	44	5220
	48	5240
5.25GHz~5.35GHz	52	5260
	56	5280
	60	5300
	64	5320
5.5GHz~5.7GHz	100	5500
	104	5520
	108	5540
	112	5560
	116	5580
	120	5600
	124	5620
	128	5640
	132	5660
	136	5680
5.725GHz~5.825GHz	140	5700
	149	5745
	153	5765
	157	5785
	161	5805
	165	5825

## 3 Bluetooth Specification

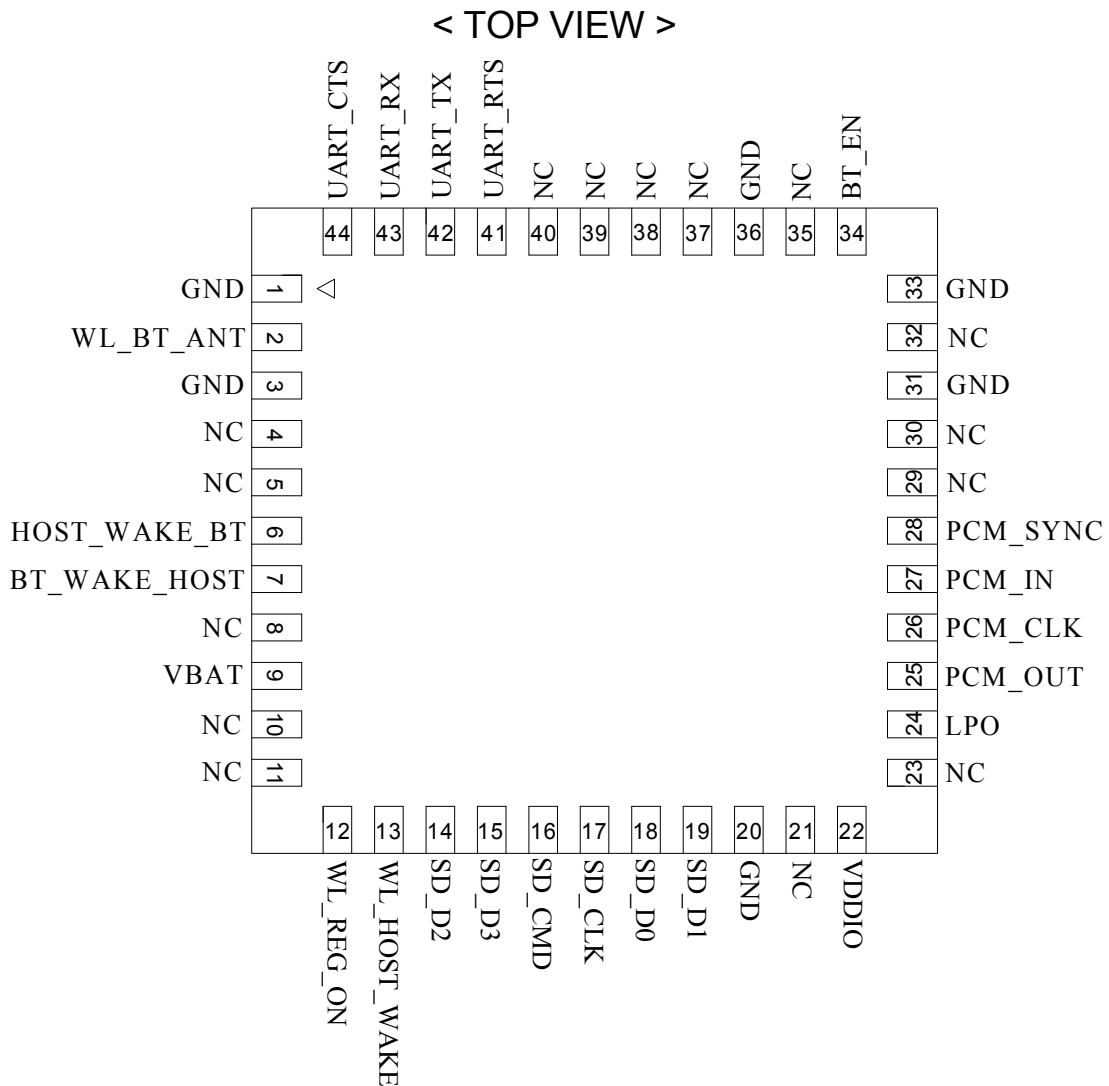
### 3.1 Bluetooth Specification

Feature	Description		
<b>General Specification</b>			
Bluetooth Standard	Bluetooth V4.2 of 1, 2 and 3 Mbps.		
Host Interface	UART		
Antenna Reference	Small antennas with 0~2 dBi peak gain		
Frequency Band	2402 MHz ~ 2480 MHz		
Number of Channels	79 channels		
Modulation	GFSK, $\pi/4$ -DQPSK, 8DPSK		
<b>RF Specification</b>			
	<b>Min.</b>	<b>Typical.</b>	<b>Max.</b>

Output Power	0 dBm		8 dBm
Sensitivity @ BER=0.1% for GFSK (1Mbps)	-85 dBm		-80 dBm
Sensitivity @ BER=0.01% for $\pi/4$ -DQPSK (2Mbps)	-85 dBm		-80 dBm
Sensitivity @ BER=0.01% for 8DPSK (3Mbps)	-85 dBm		-80 dBm
Maximum Input Level	GFSK (1Mbps):-20dBm		
	$\pi/4$ -DQPSK (2Mbps) :-20dBm		
	8DPSK (3Mbps) :-20dBm		

## 4 Pin Assignments

### 4.1 Pin Outline



## 4.2 Pin Definition

NO	Name	Type	Description	Voltage
1	GND	—	Ground connections	
2	WL_BT_ANT	I/O	RF I/O port	
3	GND	—	Ground connections	
4	NC	—	Floating (Don't connected to ground)	
5	NC	—	Floating (Don't connected to ground)	
6	HOST_WAKE_BT	I	HOST to wake-up Bluetooth device	VDDIO
7	BT_WAKE_HOST	O	Bluetooth device to wake-up HOST	VDDIO
8	NC	—	Floating (Don't connected to ground)	
9	VBAT	P	Main power voltage source input 3.3V	3.3V
10	NC	—	Floating (Don't connected to ground)	
11	NC	—	Floating (Don't connected to ground)	
12	WL_REG_ON	I	Enable pin for WLAN device ON: pull high ; OFF: pull low	VDDIO
13	WL_HOST_WAKE	O	WLAN to wake-up HOST	VDDIO
14	SD_D2	I/O	SDIO data line 2	1.8V or 3.3V
15	SD_D3	I/O	SDIO data line 3	1.8V or 3.3V
16	SD_CMD	I/O	SDIO command line	1.8V or 3.3V
17	SD_CLK	I/O	SDIO clock line	1.8V or 3.3V
18	SD_D0	I/O	SDIO data line 0	1.8V or 3.3V
19	SD_D1	I/O	SDIO data line 1	1.8V or 3.3V
20	GND	—	Ground connections	
21	NC	—	Floating (Don't connected to ground)	
22	VDDIO	P	I/O Voltage supply input	1.8V or 3.3V
23	NC	—	Floating (Don't connected to ground)	
24	LPO	I	External Low Power Clock input (32.768KHz)	
25	PCM_OUT	O	PCM Data output	VDDIO
26	PCM_CLK	I/O	PCM clock	VDDIO
27	PCM_IN	I	PCM data input	VDDIO
28	PCM_SYNC	I/O	PCM sync signal	VDDIO
29	NC	—	Floating (Don't connected to ground)	
30	NC	—	Floating (Don't connected to ground)	
31	GND	—	Ground connections	
32	NC	—	Floating (Don't connected to ground)	


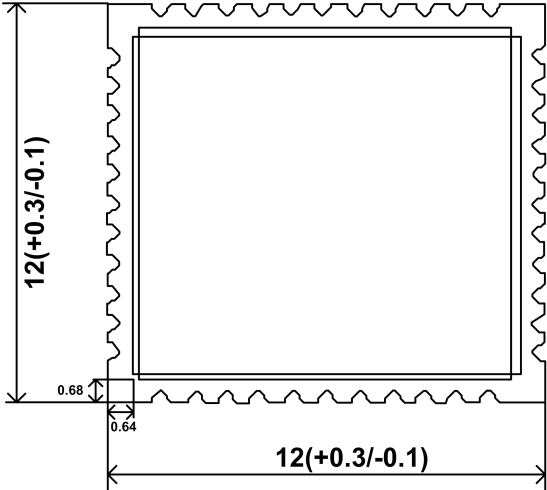
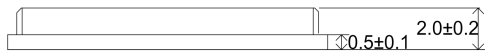
<b>33</b>	GND	—	Ground connections	
<b>34</b>	BT_EN	I	Enable pin for Bluetooth device ON: pull high ; OFF: pull low	VDDIO
<b>35</b>	NC	—	Floating (Don't connected to ground)	
<b>36</b>	GND	—	Ground connections	
<b>37</b>	NC	—	Floating (Don't connected to ground)	
<b>38</b>	NC	—	Floating (Don't connected to ground)	
<b>39</b>	NC	—	Floating (Don't connected to ground)	
<b>40</b>	NC	—	Floating (Don't connected to ground)	
<b>41</b>	UART_RTS	O	Bluetooth UART interface	1.8V or 3.3V
<b>42</b>	UART_TX	O	Bluetooth UART interface	1.8V or 3.3V
<b>43</b>	UART_RX	I	Bluetooth UART interface	1.8V or 3.3V
<b>44</b>	UART_CTS	I	Bluetooth UART interface	1.8V or 3.3V

P:POWER I:INPUT O:OUTPUT VDDIO:1.8V ~ 3.3V

## 5 Dimensions

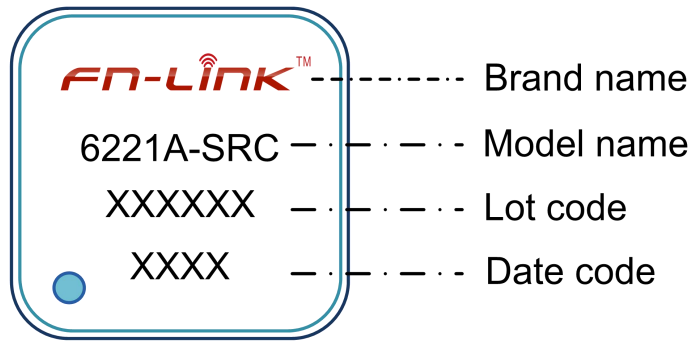
### 5.1 Module Picture

(Unit: mm)

<p>L x W : 12 x 12 (+0.3/-0.1) mm</p> 	
<p>H: 2.0 (±0.2) mm</p>	
<p><b>Weight</b></p>	<p><b>0.52g</b></p>

## 5.2 Marking Description

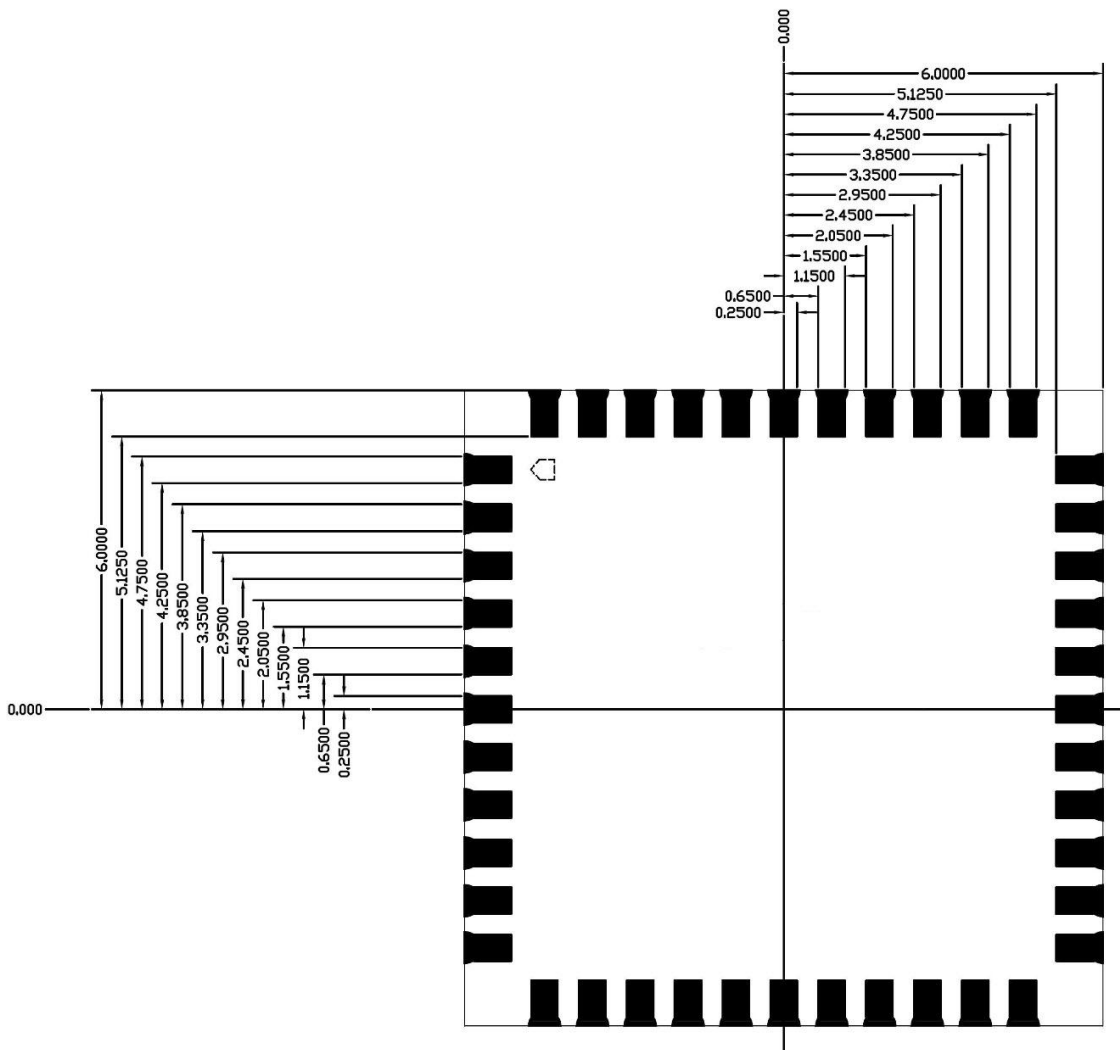
< TOP VIEW >



## 5.3 Module Physical Dimensions

(Unit: mm)

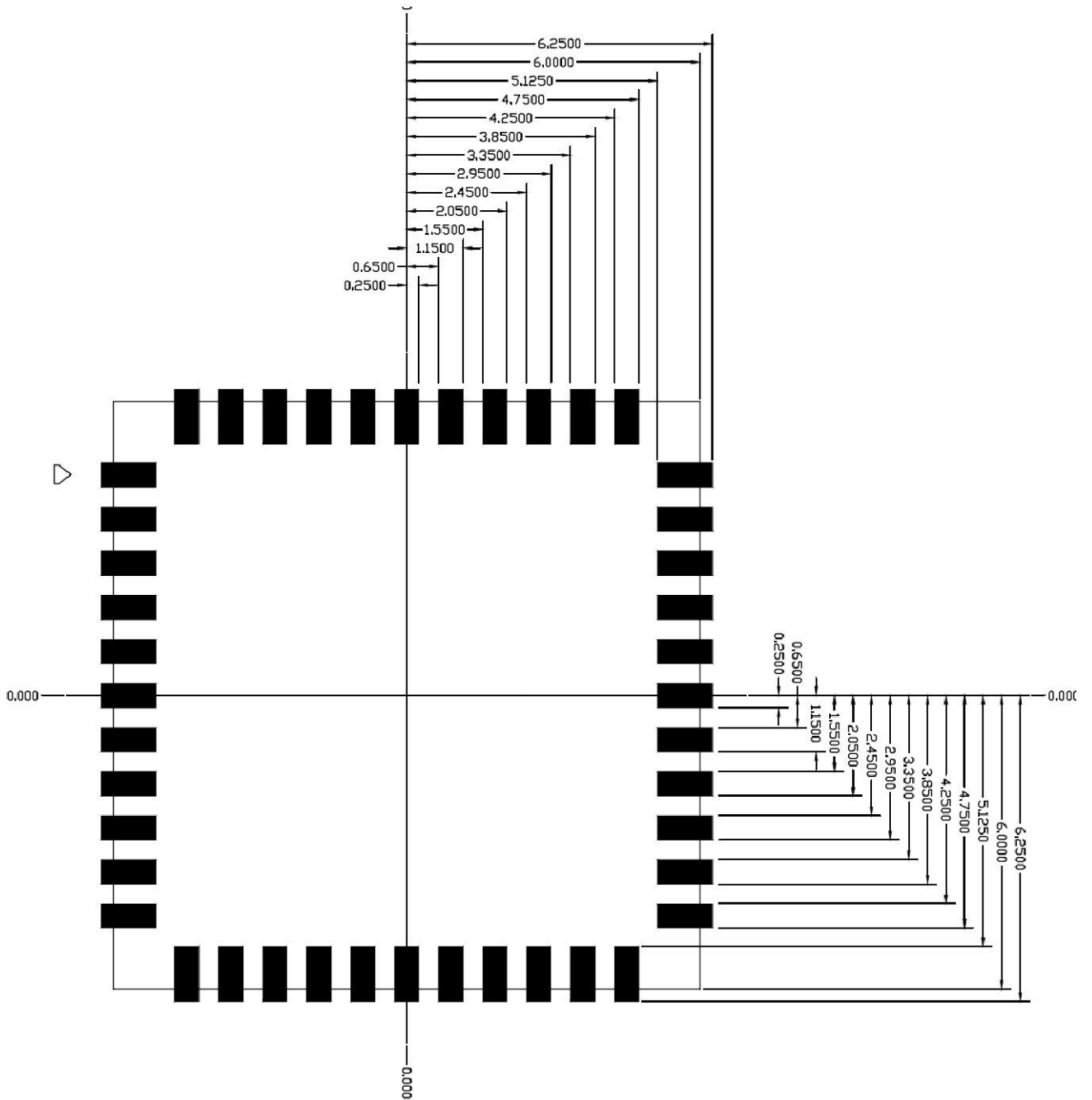
< TOP VIEW >



## 5.4 Layout Recommendation

(Unit: mm)

< TOP VIEW >





## 6 Host Interface Timing Diagram

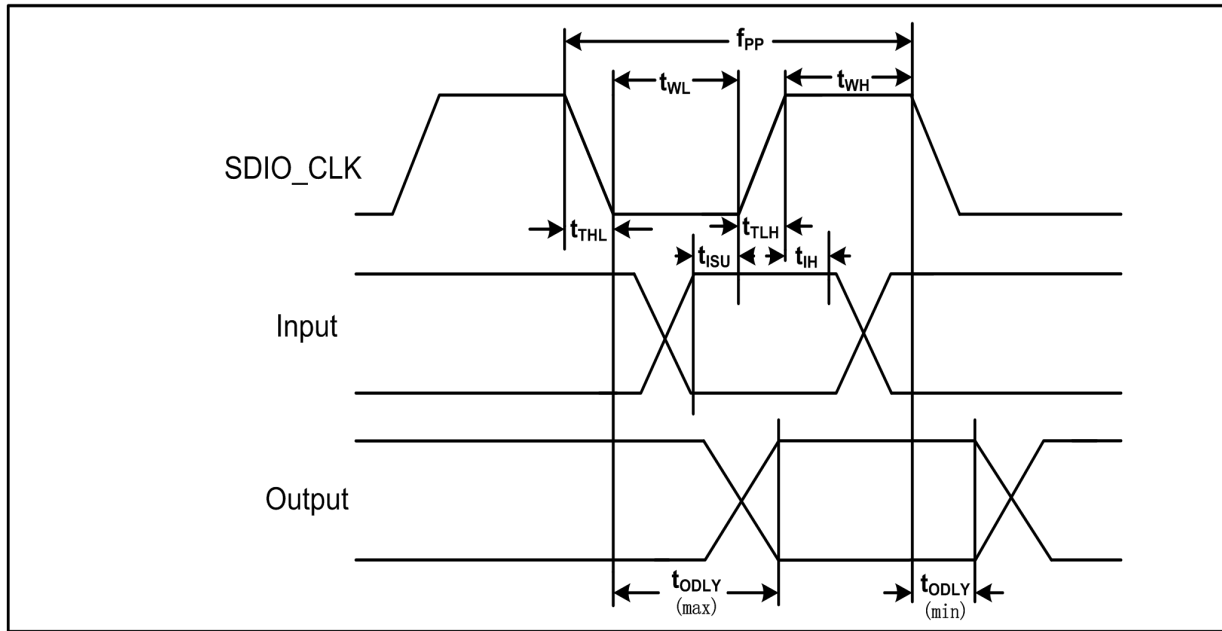
### 6.1 SDIO Pin Description

The module supports SDIO version 3.0 for all 1.8V 4-bit UHSI speeds: SDR50(100 Mbps), DDR50(50MHz, dual rates) in addition to the 3.3V default speed(25MHz) and high speed (50 MHz). It has the ability to stop the SDIO clock and map the interrupt signal into a GPIO pin. This ‘out-of-band’ interrupt signal notifies the host when the WLAN device wants to turn on the SDIO interface. The ability to force the control of the gated clocks from within the WLAN chip is also provided.

SDIO Pin Description

<b>SD 4-Bit Mode</b>	
DATA0	Data Line 0
DATA1	Data Line 1 or Interrupt
DATA2	Data Line 2 or Read Wait
DATA3	Data Line 3
CLK	Clock
CMD	Command Line

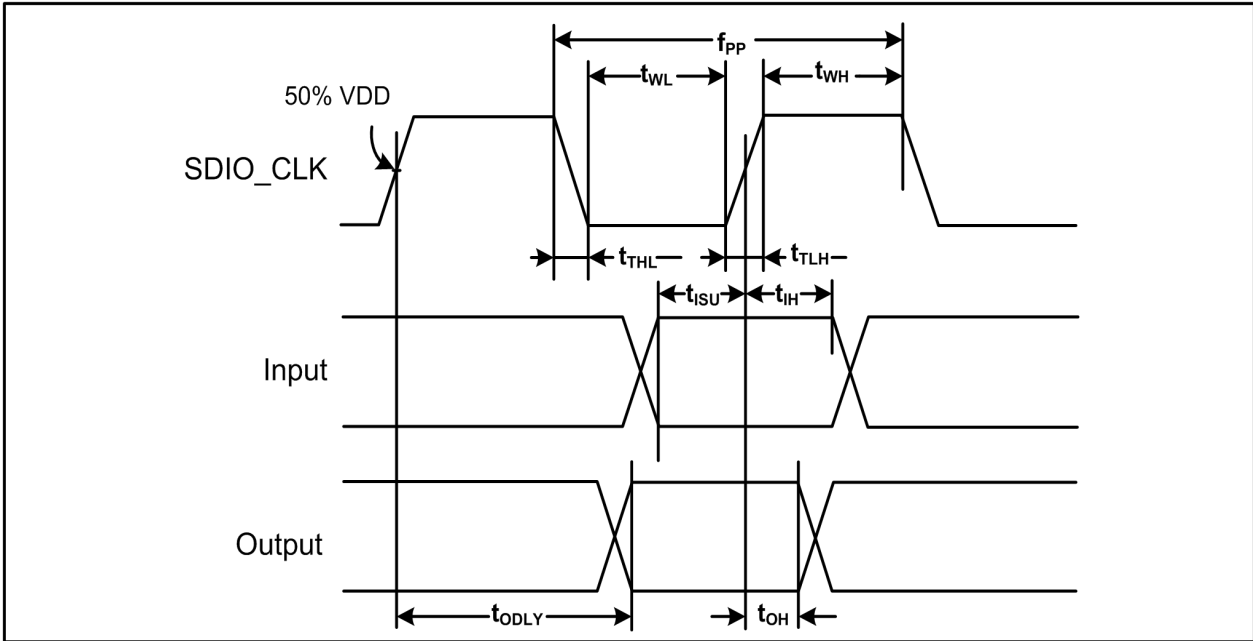
## 6.2 SDIO Default Mode Timing Diagram



Parameter	Symbol	Minimum	Typical	Maximum	Unit
<b>SDIO CLK(All values are referred to minimum VIH and maximum VIL<sup>b</sup>)</b>					
Frequency - Data Transfer mode	fPP	0	-	25	MHz
Frequency - Identification mode	fOD	0	-	400	kHz
Clock low time	tWL	10	-	-	ns
Clock high time	tWH	10	-	-	ns
Clock rise time	tTLH	-	-	10	ns
Clock low time	tTHL	-	-	10	ns
<b>Inputs:CMD, DAT(referenced to CLK)</b>					
Input setup time	tISU	5	-	-	ns
Input hold time	tIH	5	-	-	ns
<b>Outputs:CMD, DAT(referenced to CLK)</b>					
Output delay time - Data Transfer mode	tODLY	0	-	14	ns
Output delay time - Identification mode	tODLY	0	-	50	ns

- Timing is based on  $CL \leq 40$  pF load on CMD and Data.
- $\text{Min}(V_{ih}) = 0.7 \times V_{DDIO}$  and  $\text{max}(V_{il}) = 0.2 \times V_{DDIO}$ .

### 6.3 SDIO High Speed Mode Timing Diagram

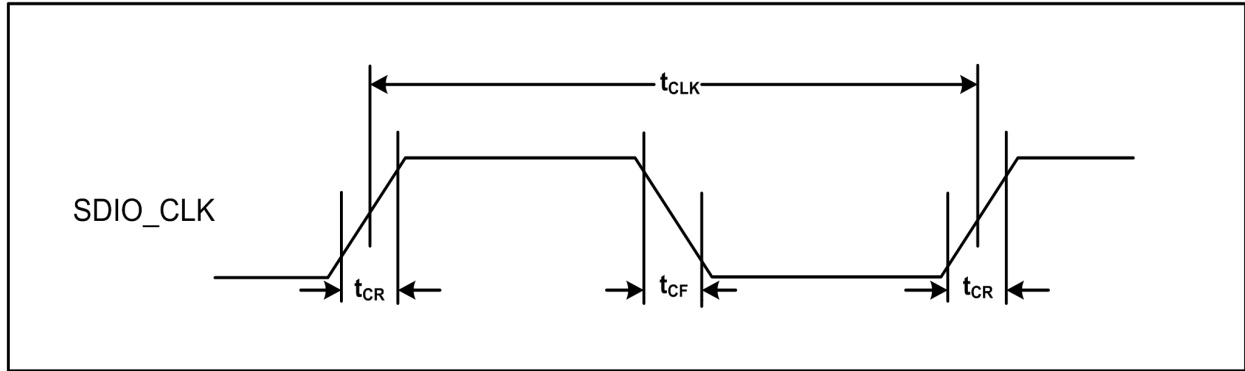


Parameter	Symbol	Minimum	Typical	Maximum	Unit
<b>SDIO CLK(all values are referred to minimum VIH and maximum VIL<sup>b</sup>)</b>					
Frequency - Data Transfer mode	fPP	0	-	50	MHz
Frequency - Identification mode	fOD	0	-	400	kHz
Clock low time	tWL	7	-	-	ns
Clock high time	tWH	7	-	-	ns
Clock rise time	tTLH	-	-	3	ns
Clock low time	tTHL	-	-	3	ns
<b>Inputs:CMD, DAT(referenced to CLK)</b>					
Input setup time	tISU	6	-	-	ns
Input hold time	tIH	2	-	-	ns
<b>Outputs:CMD, DAT(referenced to CLK)</b>					
Output delay time - Data Transfer mode	tODLY	-	-	14	ns
Output delay time - Identification mode	tODLY	2.5	-	-	ns
Total system capacitance(each line)	CL	-	-	40	pF

- Timing is based on  $CL \leq 40$  pF load on CMD and Data.
- $Min(V_{ih}) = 0.7 \times V_{DDIO}$  and  $max(V_{il}) = 0.2 \times V_{DDIO}$ .

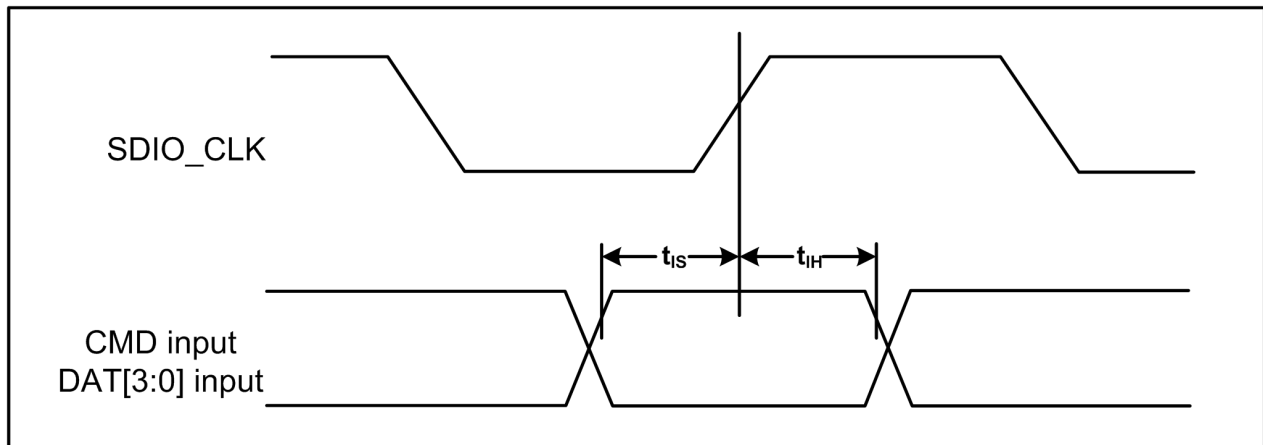
## 6.4 SDIO Bus Timing Specifications in SDR Modes

### Clock timing(SDR Modes)



Parameter	Symbol	Minimum	Maximum	Unit	Comments
-	$t_{CLK}$	40	-	ns	SDR12 mode
-		20	-	ns	SDR25 mode
-		10	-	ns	SDR50 mode
-	$t_{CR}, t_{CF}$	-	$0.2 \times t_{CLK}$	ns	$t_{CR}, t_{CF} < 2.00$ ns (max)@100 MHz, $C_{CARD} = 10$ pF
Clock duty	-	30	70	%	-

### Card Input timing (SDR Modes)



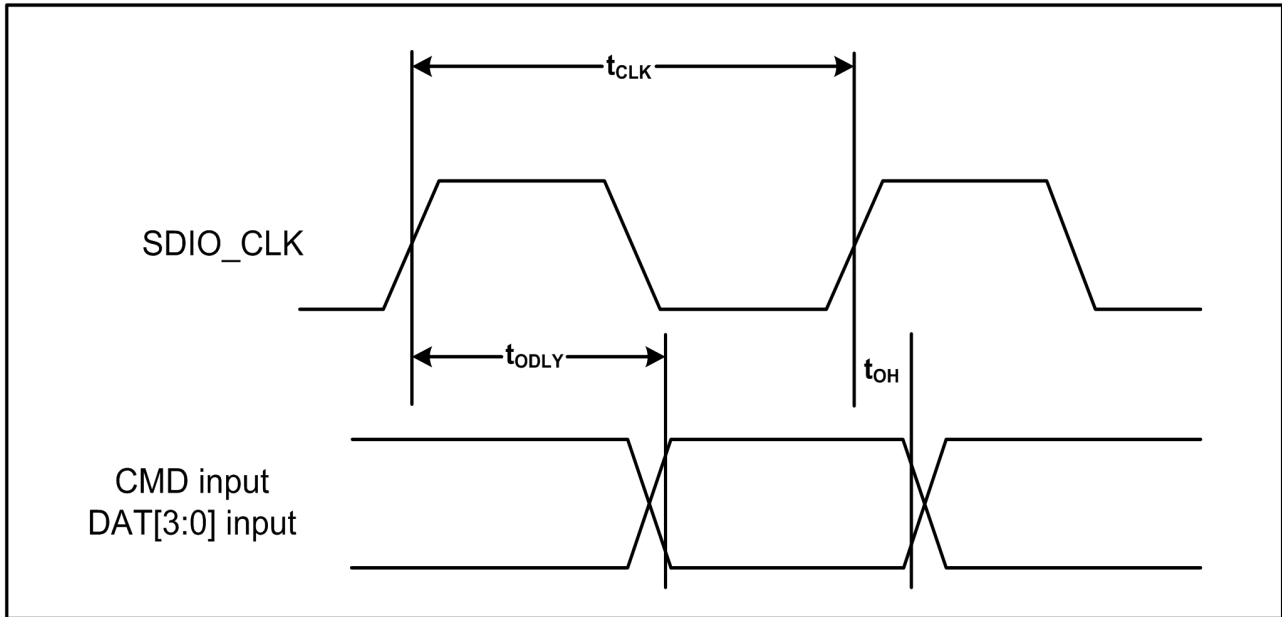
Symbol	Minimum	Maximum	Unit	Comments
--------	---------	---------	------	----------

**SDR50 Mode**

$t_{IS}$	3.00	-	ns	$C_{CARD} = 10pF, VCT = 0.975V$
$t_{IH}$	0.80	-	ns	$C_{CARD} = 5pF, VCT = 0.975V$

a. SDIO 3.0 specification value is 1.40 ns.

Card output timing (SDR Modes up to 100MHz)

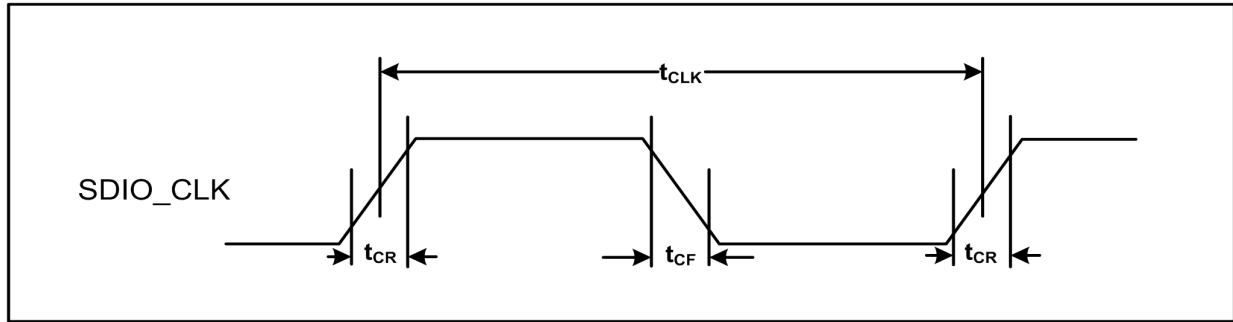


Symbol	Minimum	Maximum	Unit	Comments
--------	---------	---------	------	----------

$t_{ODLY}$	-	7.85 <sup>a</sup>	ns	$t_{CLK} \geq 10$ ns $C_L = 30$ pF using driver type B for SDR50
$t_{ODLY}$	-	14.0	ns	$t_{CLK} \geq 20$ ns $C_L = 40$ pF using for SDR12, SDR25
$t_{OH}$	1.5	-	ns	Hold time at the $t_{ODLY}(\min)$ $C_L = 15$ pF

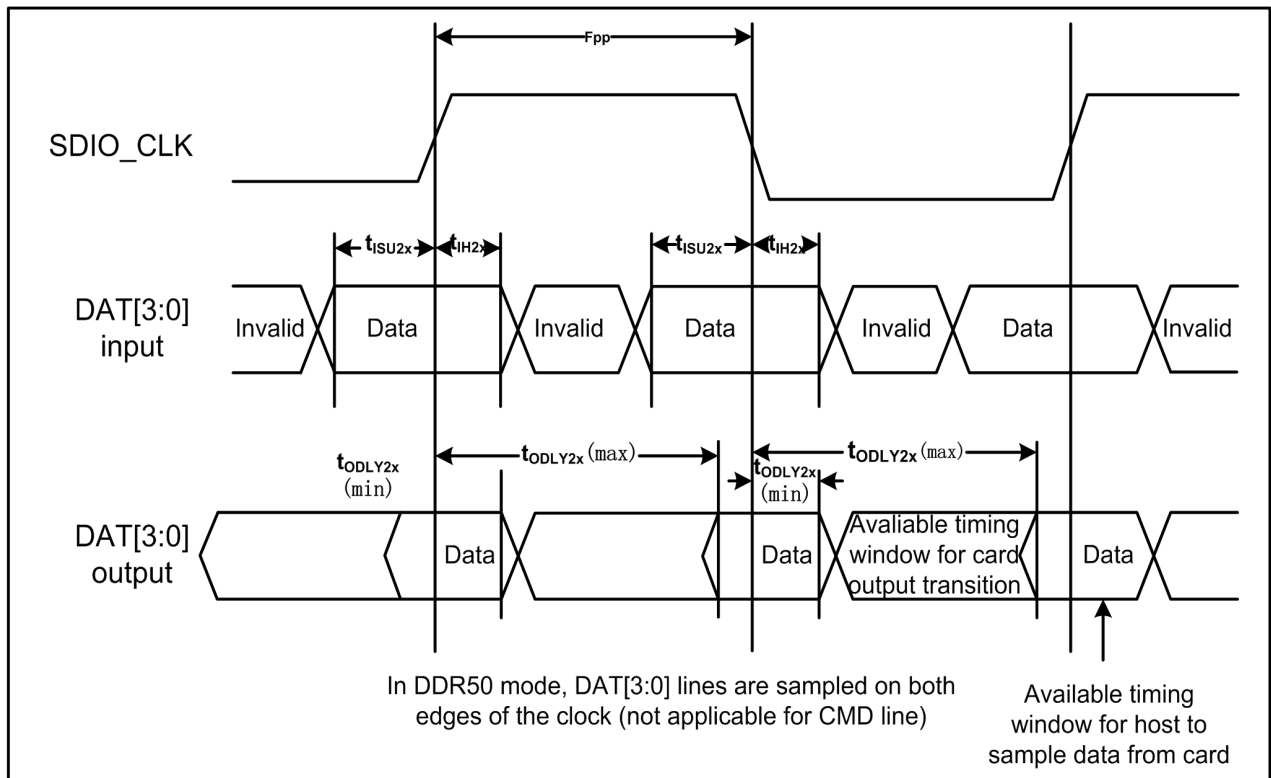
a. SDIO 3.0 specification value is 7.5 ns.

## 6.5 SDIO Bus Timing Specifications in DDR50 Mode



parameter	Symbol	Minimum	Maximum	Unit	Comments
-	$t_{CLK}$	20	-	ns	DDR50 mode
-	$t_{CR}, t_c$	-	$0.2 \times t_{CLK}$	ns	$t_{CR}, t_{CF} < 4.00$ ns (max)@50 MHz, $C_{CARD} = 10$ pF
Clock duty	-	45	55	%	-

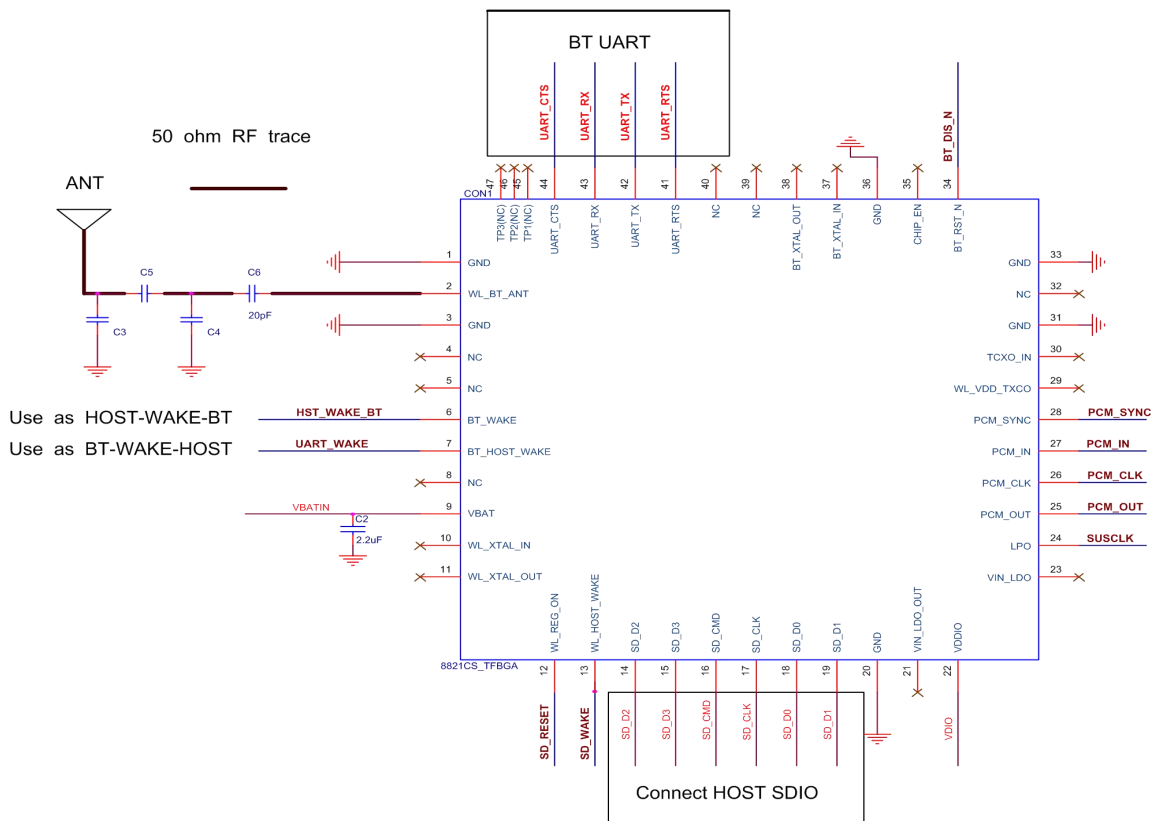
### Data Timing



parameter	Symbol	Minimum	Maximum	Unit	Comments
<b>Input CMD</b>					
Input setup time	t <sub>ISU</sub>	6	-	ns	C <sub>CARD</sub> < 10 pF (1 Card)
Input hold time	t <sub>IH</sub>	0.8	-	ns	C <sub>CARD</sub> < 10 pF (1 Card)
<b>Output CMD</b>					
Output delay time	t <sub>ODLY</sub>	-	13.7	ns	C <sub>CARD</sub> < 30 pF (1 Card)
Output hold time	t <sub>OH</sub>	1.5	-	ns	C <sub>CARD</sub> < 15 pF (1 Card)
<b>Input DAT</b>					
Input setup time	t <sub>ISU2x</sub>	3	-	ns	C <sub>CARD</sub> < 10 pF (1 Card)
Input hold time	t <sub>IH2x</sub>	0.8	-	ns	C <sub>CARD</sub> < 10 pF (1 Card)
<b>Output CMD</b>					
Output delay time	t <sub>ODLY2x</sub>	-	7.85 <sup>a</sup>	ns	C <sub>CARD</sub> < 25 pF (1 Card)
Output hold time	t <sub>ODLY2x</sub>	1.5	-	ns	C <sub>CARD</sub> < 15 pF (1 Card)

a. SDIO 3.0 specification value is 7.0 ns

## 7 Reference Design



## 8 Ordering Information

Part No.	Description
FG6221ASRC-00	RTL8821CS, a/b/g/n/ac, Wi-Fi+BLE4.2, 1T1R, 12X12mm, SDIO +Uart, PCB Version V1.0

## 9 The Key Material List

Main	Inductor	2016 2.2UHLaminated inductance ,±20%,1200mA MGFL2016F2R2MT-LF (Microgate)
Main	Shielding cover	6221A-SRC V2.0 Shield cover, copper,Non-positioning foot 10.77*10.72*1.4MM (No Insulating layer)
Alternative	Shielding cover	6221A-SRC V2.0 Shield cover, copper,Non-positioning foot 10.77*10.72*1.4MM (Insulating layer)
Main	Filter	DP1005-E2455FBT/LF (ACX)
Main	Crystal	40MHz 2016 15pF 10ppm E1SB40E000900E(Hosonic)
Alternative	Crystal	40MHz 2016 15pF 10ppm(TST)
Main	Chipset	RTL8821CS-CG
Main	TVS	TVS LXES03AAA1-154 4V 0.05pF ESD ± 15KV/ ± 15KV 0201(muRata)

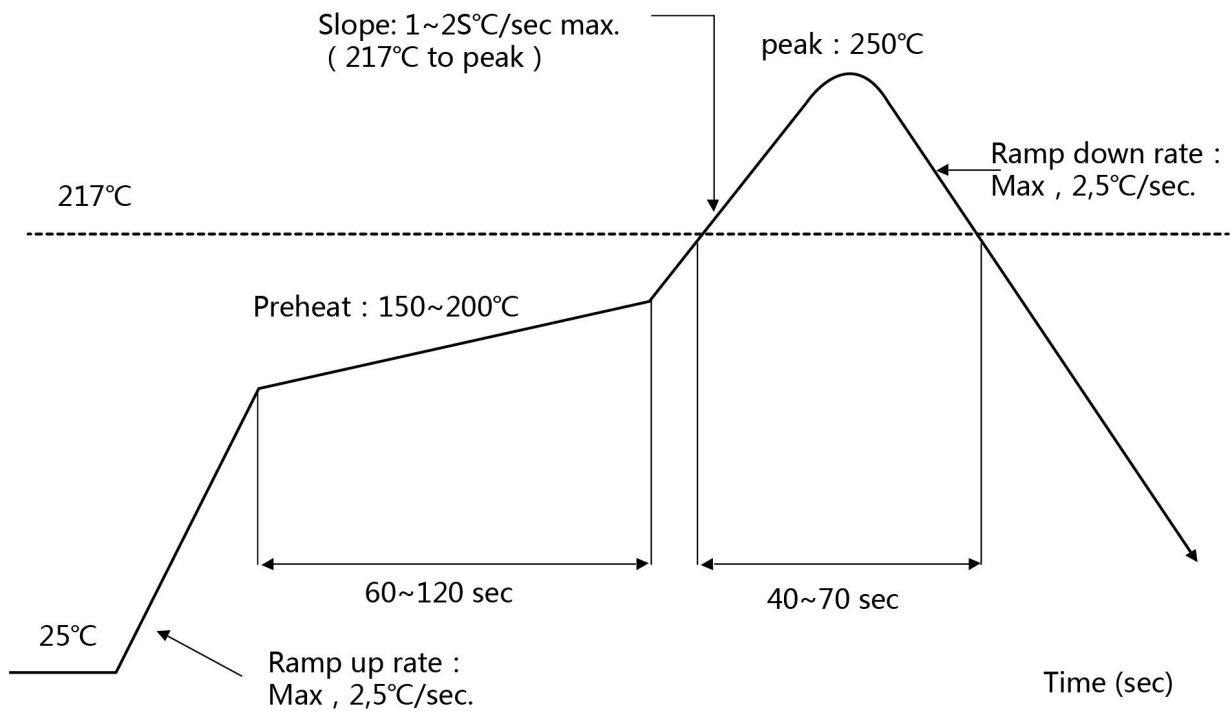


## 10 Recommended Reflow Profile

Referred to IPC/JEDEC standard.

Peak Temperature : <250°C

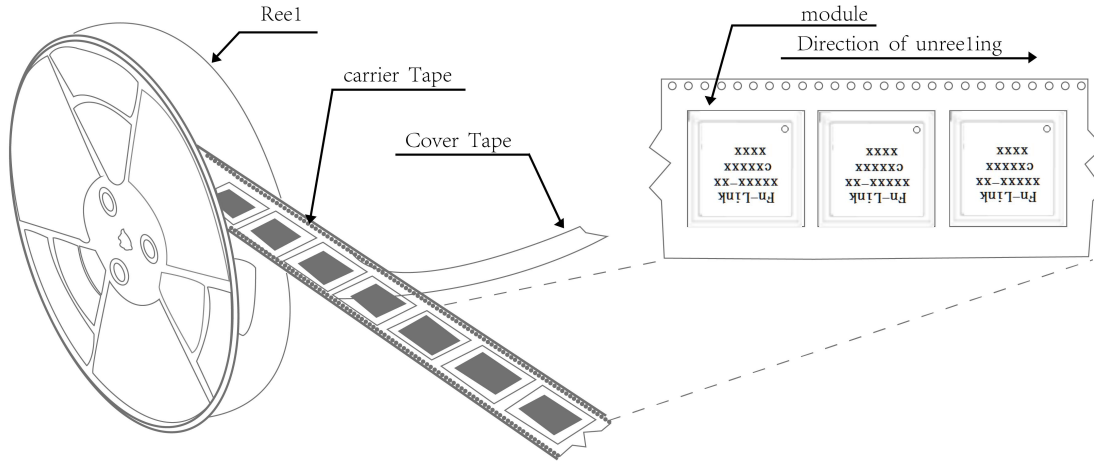
Number of Times : ≤2 times



# 11 Package Information

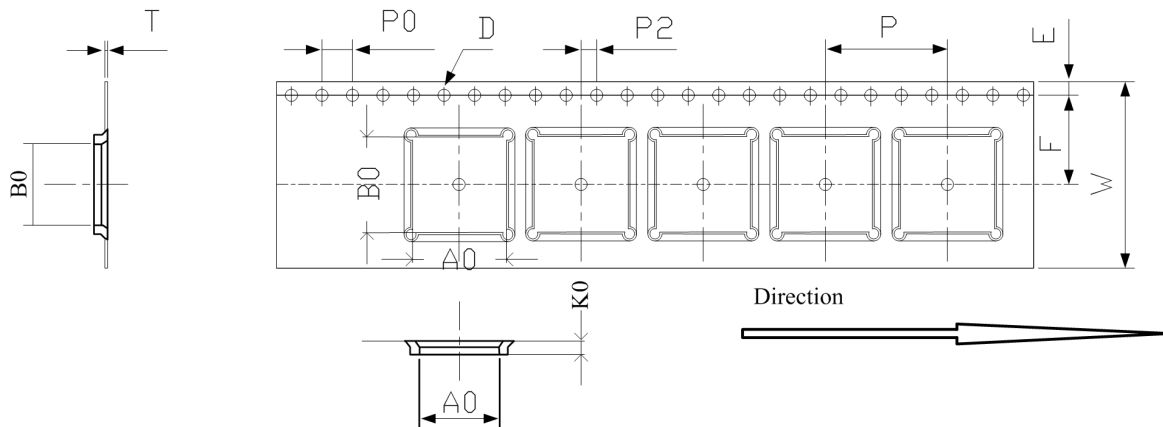
## 11.1 Reel

A roll of 2000pcs



## 11.2 Carrier Tape Detail

ITEM	W	A0	B0	D	F	E	K0	P0	P2	P	T
DIM	24	12.40	12.40	1.50	11.5	1.75	1.70	4.0	2.0	16.0	0.30
TOLE	+0.3 -0.3	±0.10	±0.10	+0.1 -0.0	+0.1 -0.1	±0.1	±0.10	±0.1	±0.1	±0.1	±0.05



## 11.3 Packaging Detail

the take-up package



Using self-adhesive tape

Size of black tape:24mm\*32.6m the cover tape :2.13mm\*32.6m

Color of plastic disc:blue

A roll of 2000pcs



NY bag size:460mm\*385mm



size : 350\*350\*35mm



The packing case size:350\*210\*370mm

## 11.4 Moisture sensitivity

The Modules is a Moisture Sensitive Device level 3, in according with standard IPC/JEDEC J-STD-020, take care

all the relatives requirements for using this kind of components.

Moreover, the customer has to take care of the following conditions:

- a) Calculated shelf life in sealed bag: 12 months at <math><40^{\circ}\text{C}</math> and <math><90\%</math> relative humidity(RH).
- b) Environmental condition during the production: <math>30^{\circ}\text{C}</math> / 60% RH according to IPC/JEDEC J-STD-033A paragraph 5.
- c) The maximum time between the opening of the sealed bag and the reflow process must be 168 hours if condition
- b) "IPC/JEDEC J-STD-033A paragraph 5.2" is respected
- d) Baking is required if conditions b) or c) are not respected
- e) Baking is required if the humidity indicator inside the bag indicates 10% RH or more